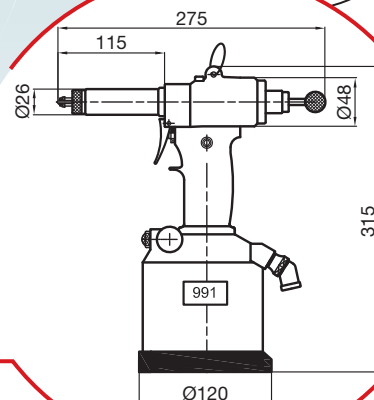


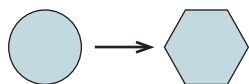
RIV991 Hydropneumatic hexcutter tool for hex holes from M5 to M12



Code 4630400

To place hexagonal RIVSERT rivet nuts from M5 to M12.

A round off system, thanks to a special punch housed in the front of the head, **can easily transform a round hole into a hexagonal one.** This allows the use of hexagonal rivet nuts on already folded profiles and on metal boxes.



Optional

Hexagonal rivet nut	Punch code	Die code
M5	2974900	2975300
M6	2925000	2925100
M8	2975000	2975400
* M10	4669500	2975500
** M12	4669400	4669300

* Complete kit supplied with hex. die 13 + punch for M10 rivet nut (4631900).

** Complete kit supplied with hex. die 16 + punch for M12 rivet nut (4669200).



Examples of application



RIV991 is supplied in a case without punches and dies. Order the proper punch and die separately, according to the size of the rivet nut to be placed (see the table for optional accessories).

Technical data and features

Air working pressure	6 bar
Min-max air pressure	5/7 bar
Air consumption per cycle (6 bar)	2.5 lt
Stroke	12 mm
Max power (6 bar)	21000 N
Weight (without kit)	2.400 Kg
Vibrations	< 2,5 m/s ²
Noise level	< 80 dB (A)

Size	Predrilled	Hexagon
M5	7.25	7
M6	* 9.25-9.50	9
M8	* 11.25-11.50	11
M10	* 13.25-13.50	13
M12	* 16.25-16.50	16

* Depending on the thickness of the used material.

Sheet metal thickness

Size	Aluminium	Steel	S/Steel
M5	0.5-5.0	0.5-3.0	0.5-1.5
M6	0.5-6.0	0.5-3.0	0.5-1.5
M8	0.5-6.0	0.5-3.0	0.5-1.5
M10	0.5-6.0	0.5-3.0	0.5-1.5
M12	0.5-6.0	0.5-3.0	0.5-1.5

